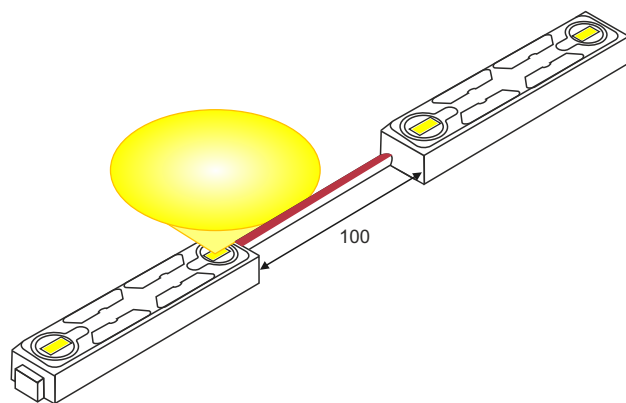
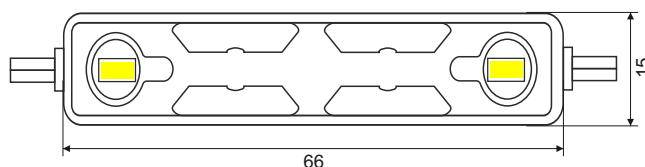


LED MODULE GOQ 2xLED

5630 SMD 6500 K 0.72 W



TECHNICAL DATA DANE TECHNICZNE / TECHNISCHE DATEN

Product No.:	GOQ-2SAM-150-W-6500
LED Dimension: Wymiary diody / Diodenabmessungen	5630 type (5.6 x 3.0 x 0.8mm)
Rated Power: Moc znamionowa / Nennleistung	1.08 W
Input Voltage: Napięcie zasilania / Spannungsversorgung	12 V DC
Input Current: Prąd wejściowy / Eingangsstrom	90 mA
View Angle: Kąt świecenia / Abstrahlwinkel	150°
Luminous Intensity: Strumień świetlny / Lichtstrom	80 lm (typ.)
CRI:	80

Module Pitch: Podział modułu / Modulplatz	100 mm
Size: Wymiar / Größe	66 x 15 x 8.5 mm
Weight: Waga / Gewicht	8 g
Max. in Series: Max. w szeregu / Maximale in Serie	50 EA
Operating Temperature: Temperatura pracy / Arbeitstemperatur	-30 ~ 85° C
Storage Temperature: Temperatura przechowywania / Lagertemperatur	-40 ~ 100° C
IP	68
Cable: Przewód / Kabel	UL., 20AWG 300V/80° C



LED MODULE GOQ 2xLED

5630 SMD 6500 K 0.72 W

Absolute Maximum Ratings

Item	Symbol	Rating	Condition
Operating temperature range	T_{op}	-40 ~ 85° C	-
Storage temperature range	T_{stg}	-40 ~ 120° C	-
LED junction temperature	T_j	110° C	-
Forward Current	I_F	150 mA	-
Peak Pulsed Forward Current	I_{FP}	300 mA	Duty 1 / 10 pulse width 10 ms
Thermal resistance	$R_{th, j-s}$	16° C / W	Junction to solder point
Assembly Process Temperature	-	260° < 10 sec	-
ESD	-	5kV	HBM

Electro-Optical Characteristics

Item	Unit	Nominal CCT	Product Code	Rank	Min	Typ	Max
Forward Voltage ¹⁾ (V_F) (@65 mA, $T_s = 25^\circ C$)	V	-	-	AZ	2,70	-	2,80
				A1	2,80	-	2,90
				A2	2,90	-	3,00
				A3	3,00	-	3,10
				A4	3,10	-	3,20
Luminous Intensity ²⁾ (I_v) (@65 mA, $T_s = 25^\circ C$)	lm	6500K	*WAPOSC	S3-S4	30,0	-	34,0
Reverse Voltage (@5 mA, $T_s = 25^\circ C$)	V	-	-	-	0,7	-	1,2

1)~4) SAMSUNG ELECTRONICS maintains a tolerance of $V_F \pm 0,1 V$, $I_v \pm 5\%$ on measurements

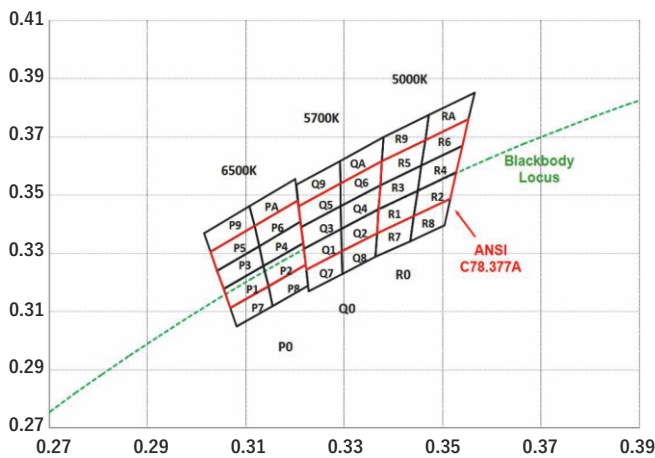
5) " * " is Product Code of "SPMWHT541MD5"



LED MODULE GOQ 2xLED

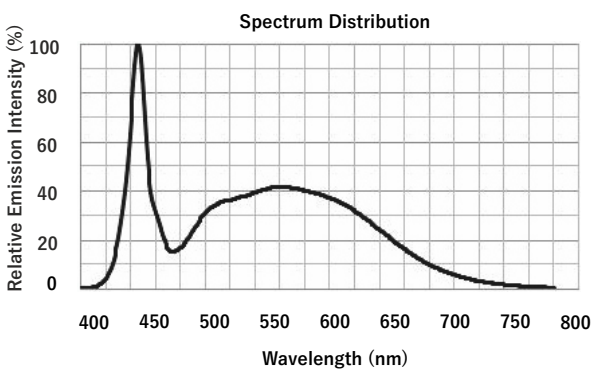
5630 SMD 6500 K 1.08 W

Chromaticity/Radiation Diagram



Region	CIE X	CIE Y	Region	CIE X	CIE Y
P rank (6500K)					
P1	0.3068	0.3113	P6	0.3126	0.3324
	0.3145	0.3187		0.3210	0.3408
	0.3135	0.3256		0.3205	0.3481
	0.3055	0.3177		0.3117	0.3393
P2	0.3145	0.3187	P7	0.3081	0.3049
	0.3221	0.3261		0.3154	0.3119
	0.3216	0.3334		0.3145	0.3187
P3	0.3135	0.3256	P8	0.3068	0.3113
	0.3055	0.3177		0.3154	0.3119
	0.3135	0.3256		0.3226	0.3188
	0.3126	0.3324		0.3221	0.3261
P4	0.3041	0.3240	P9	0.3145	0.3187
	0.3135	0.3256		0.3028	0.3304
	0.3216	0.3334		0.3117	0.3393
	0.3210	0.3408		0.3107	0.3461
P5	0.3126	0.3324	P10	0.3015	0.3368
	0.3041	0.3240		0.3117	0.3393
	0.3126	0.3324		0.3205	0.3481
	0.3117	0.3393		0.3200	0.3554
	0.3028	0.3304		0.3107	0.3461

Spectrum (Ts=25° C)



Radiation Characteristic

